



# XYLO

---

by Patrick Séha

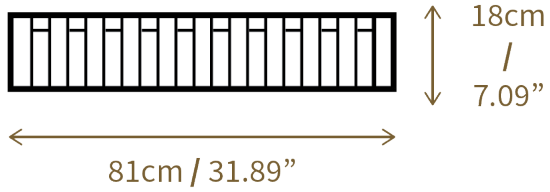
PER/USE

The XYLO's design echoes a xylophone, with hooks resembling piano keys. These flexible hooks can be opened or closed along its length, and when not in use, all 15 hooks tuck away neatly for a stylish, space-saving look. As the smaller addition to the PIANO collection, the XYLO is a versatile, functional piece perfect for hanging coats, shirts, towels, handbags, and more in any space, from hallways and living rooms to kitchens, bedrooms, bathrooms, and pool houses.



## SIZE

---



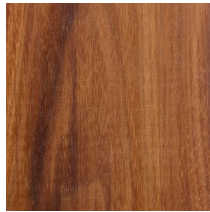
## COLORS

---

### INDOOR



oak black



walnut



oak natural  
oiled



beech white

### OUTDOOR



teak

## VARIATIONS

---



OAK BLACK



WALNUT



TEAK



OAK



BEECH WHITE

## TECHNICAL

The flexible hooks of the Xylo can be opened or closed over the whole width of the Xylo. When not in use, all hooks can be closed, giving the Xylo a very elegant look and space-saving features.

### TIGHTENING THE HOOKS



Carefully take off the side by giving it a few taps at the bottom.



Slide the side upwards and take it off.



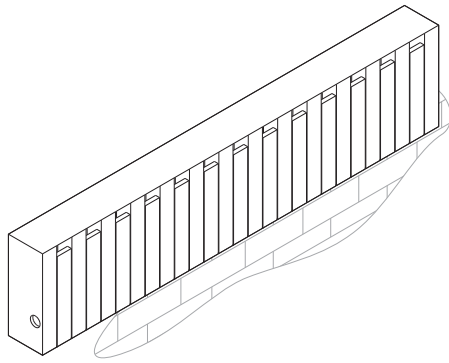
Put the side aside for a moment.



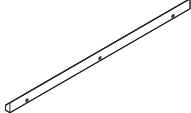
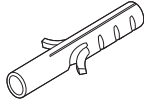
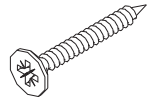
You can tighten the hooks (per level) with a spanner.



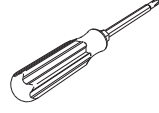

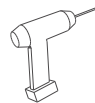
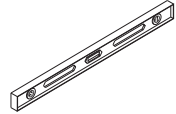
If you are happy with how the hooks open now, you can put the side back on.



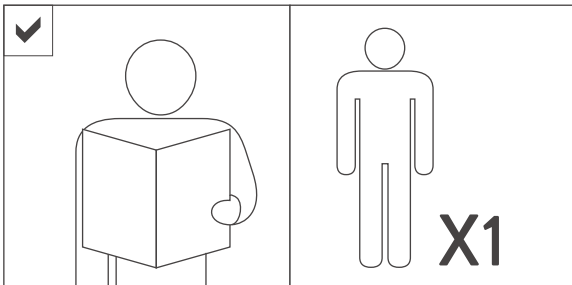
### HARDWARE ENCLOSED

 HANGING HARDWARE 1 pc	 WALL PLUG (Ø 8) 4 pcs
 SCREW (4 x 60) 4 pcs	

### TOOLS (not included in package)

 CROSS-HEAD SCREWDRIVER	 PENCIL
 DRILLING MACHINE	 LEVEL

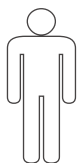
### NOTICE



### SYMBOLS



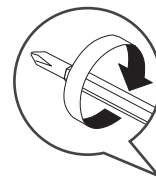
DIRECTION



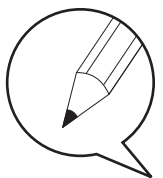
NUMBER OF  
PERSON NEEDED



USE DRILLING  
MACHINE

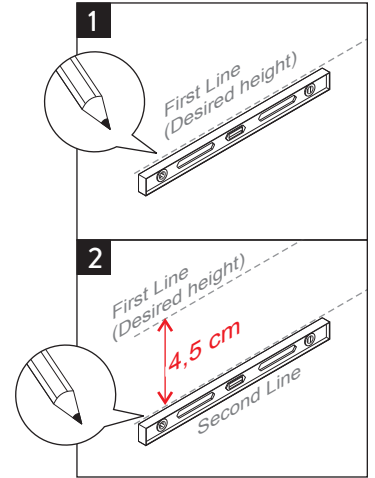
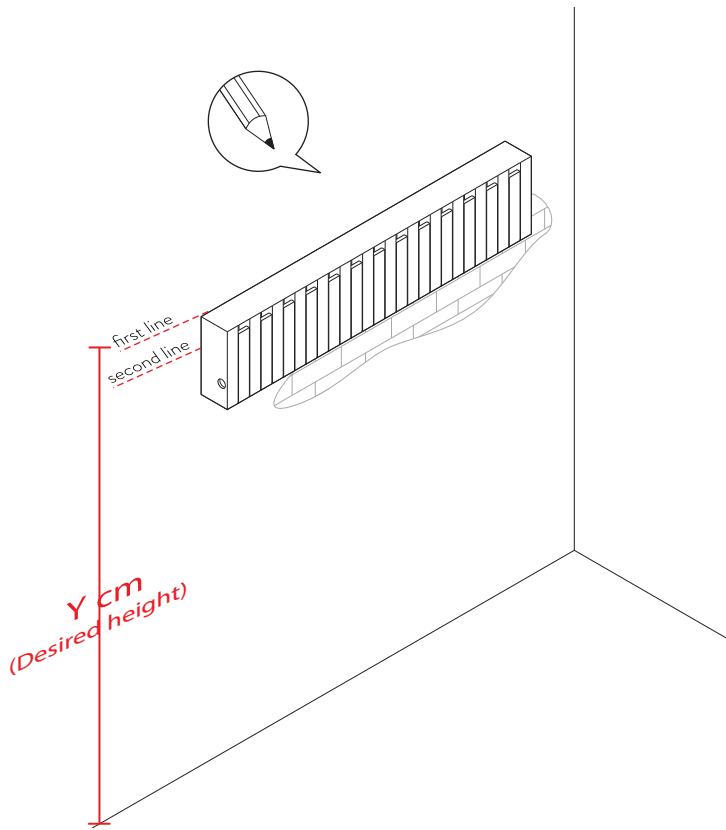


USE SCREWDRIVER  
TO TIGHTEN



USE PENCIL

**A DETERMINE THE LINE**

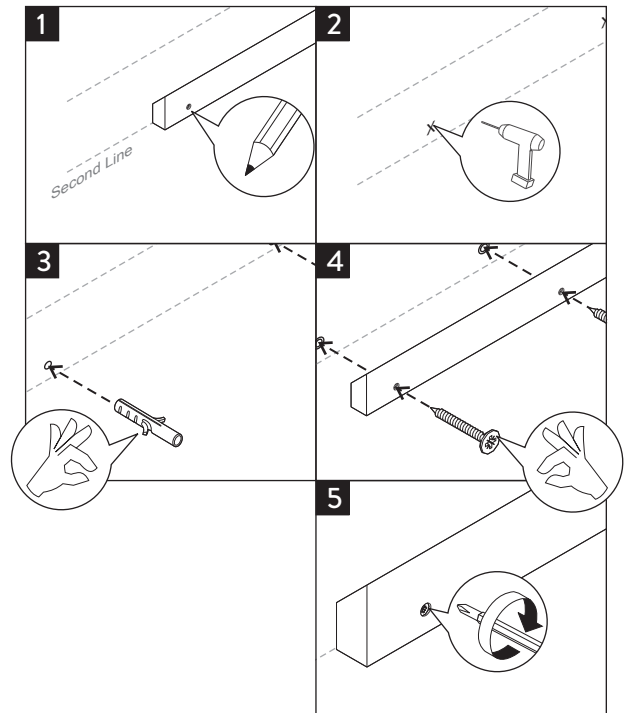
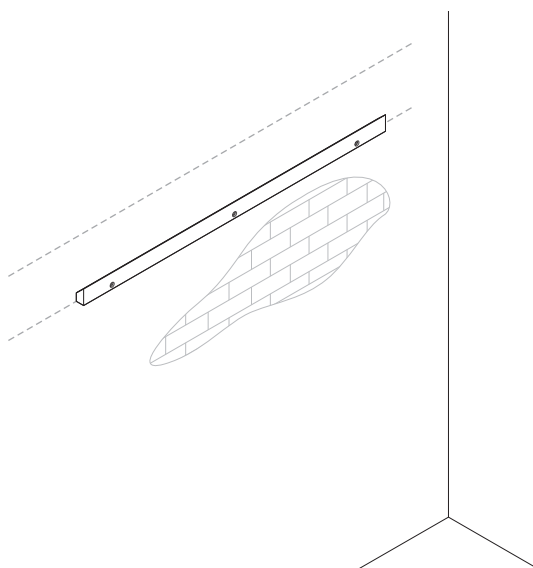


**!** USE LEVEL FOR ALIGNMENT

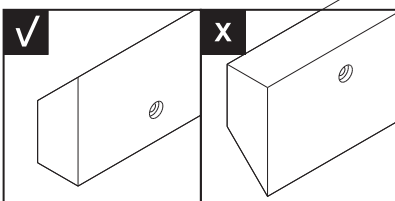
**FOR EXAMPLE**

If you want to hang the Xylo with the top (first line) at a height of 195 cm, the bottom of the beam (second line) should be placed at  $(195 - 4,5 =)$  190,5 cm.

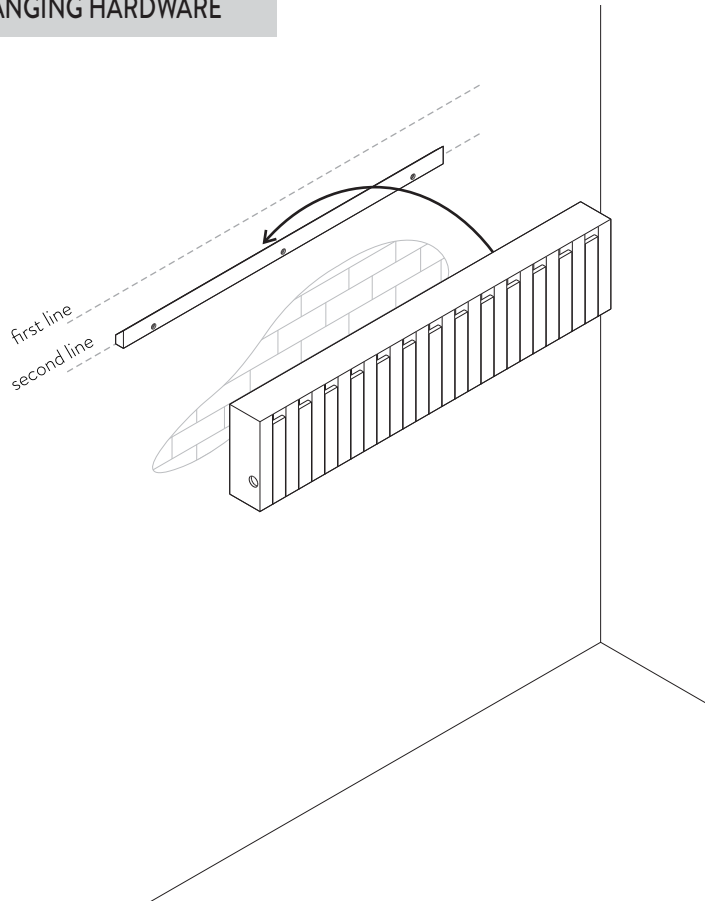
**B INSTALLING HANGING HARDWARE**



**!** TIGHTEN FULLY



**C** HANGING RACK TO THE HANGING HARDWARE



**D** FINISH

