

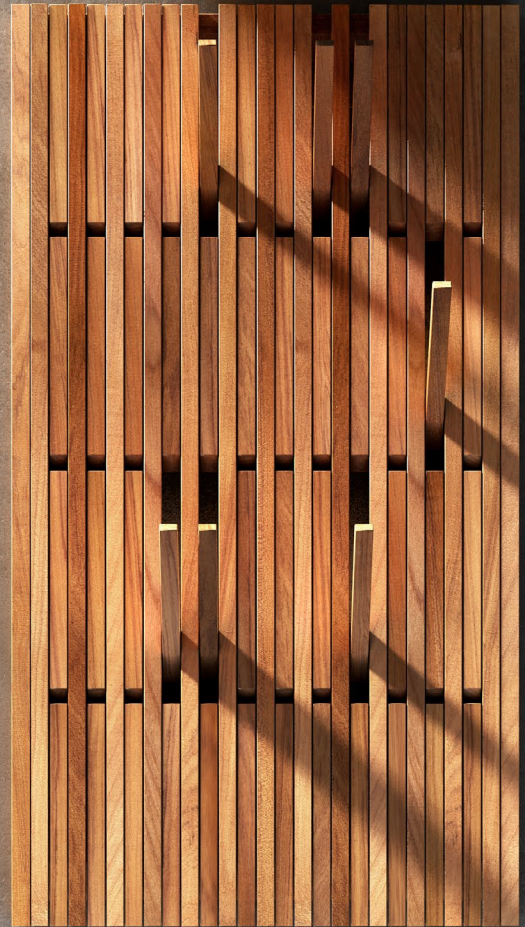


PIANO

by Patrick Séha

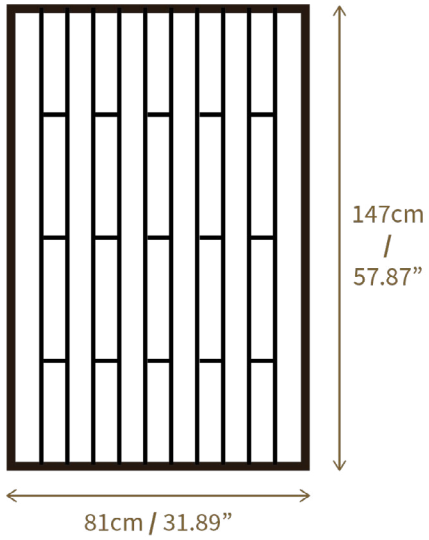
PER/USE

A harmonious blend of elegance and functionality. Inspired by the keys of a piano, this unique coatrack features individually adjustable hooks, allowing for personalized arrangement and maximum versatility. Crafted with meticulous attention to detail, the Piano Coatrack not only organizes your space but also adds a touch of sophisticated design to your home.

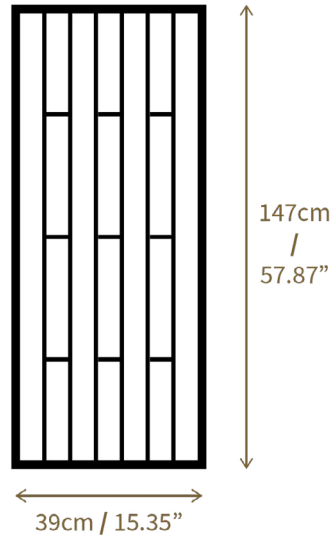


SIZES

LARGE



SMALL

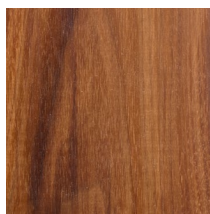


COLORS

INDOOR



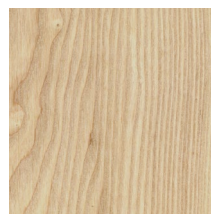
oak black



walnut



oak natural
oiled



ash



beech white

OUTDOOR



teak

VARIATIONS



BEECH WHITE



ASH



OAK



TEAK



WALNUT



OAK BLACK



TECHNICAL

The flexible hooks of the Piano can be opened or closed over the whole width of the Piano, at four different heights. When not in use, all hooks (20 for the Small / 48 for the Large) can be closed, giving the Piano a very elegant look and space-saving features.

TIGHTENING THE HOOKS



Carefully take off the side by giving it a few taps at the bottom.



Slide the side upwards and take it off.



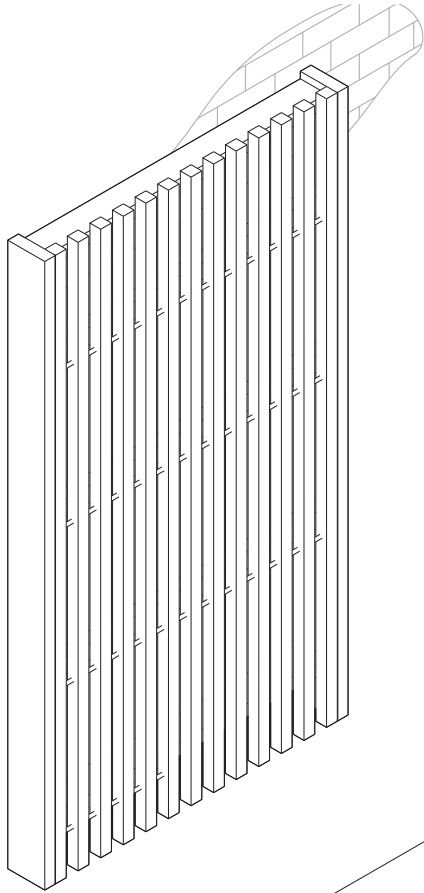
Put the side aside for a moment.



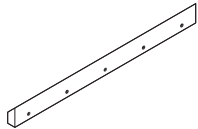
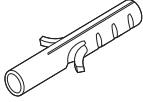
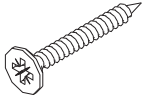
You can tighten the hooks (per level) with a spanner.



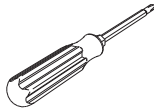

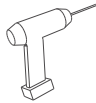
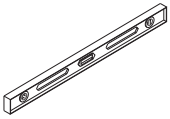
If you are happy with how the hooks open now, you can put the side back on.



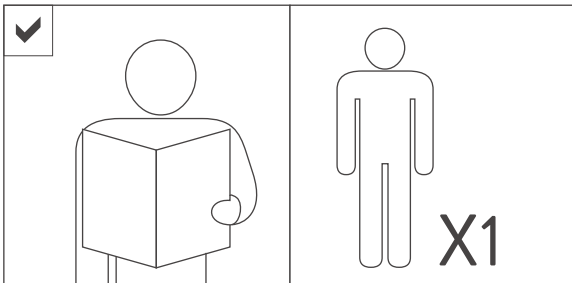
HARDWARE ENCLOSED

 <p>HANGING HARDWARE 1 pc</p>	 <p>WALL PLUG (Ø 8) 4 pcs</p>
 <p>SCREW (4 x 60) 4 pcs</p>	

TOOLS (not included in package)

 <p>CROSS-HEAD SCREWDRIVER</p>	 <p>PENCIL</p>
 <p>DRILLING MACHINE</p>	 <p>LEVEL</p>

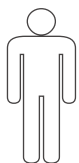
NOTICE



SYMBOLS



DIRECTION



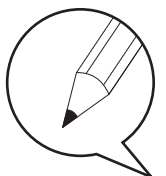
NUMBER OF
PERSON NEEDED



USE DRILLING
MACHINE

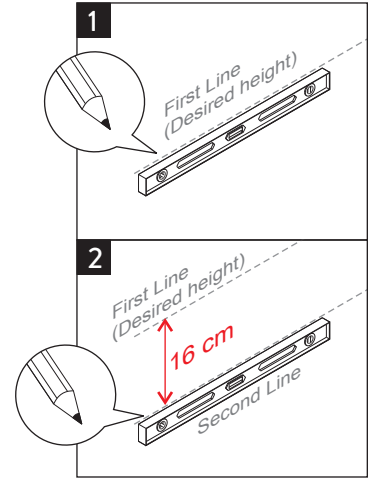
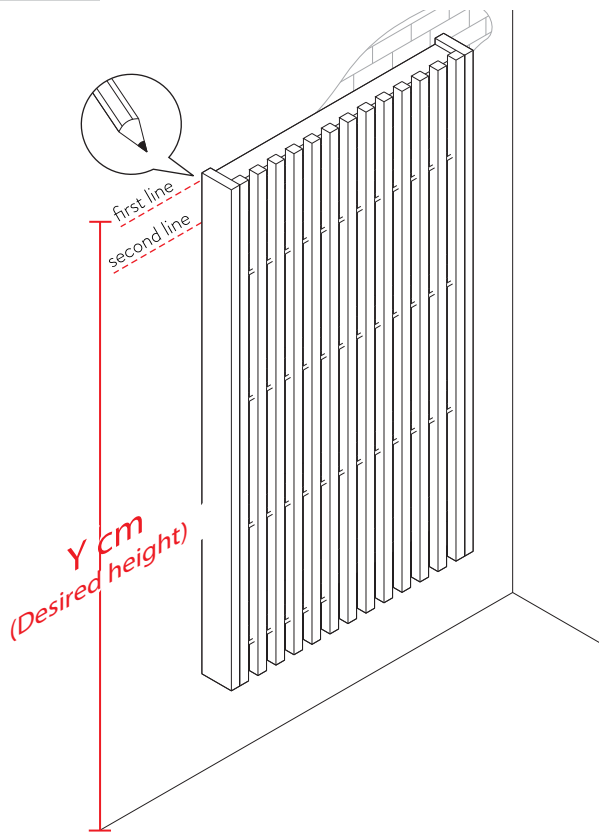


USE SCREWDRIVER
TO TIGHTEN



USE PENCIL

A DETERMINE THE LINE

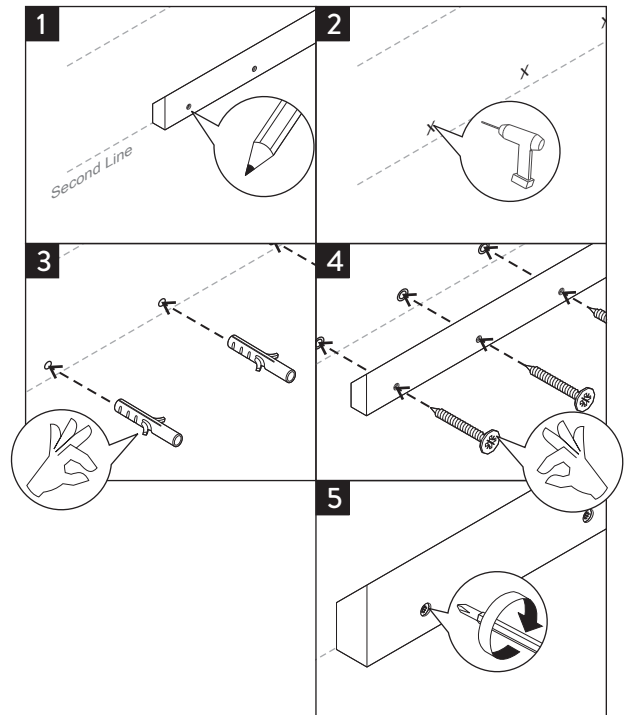
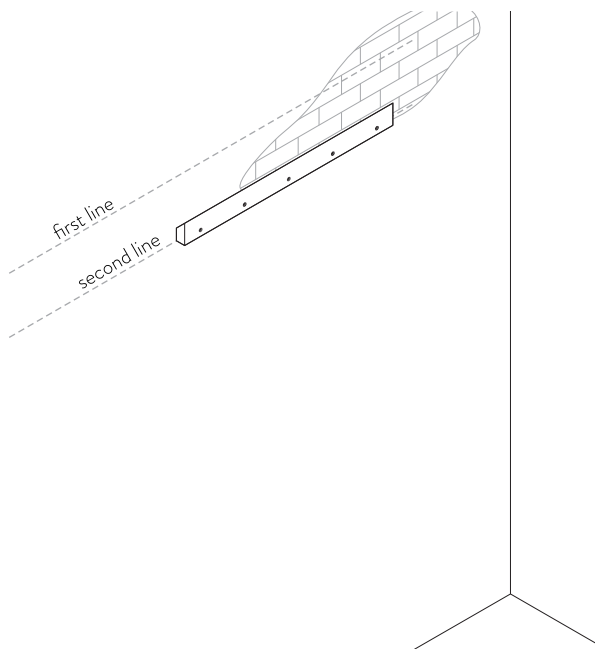


! USE LEVEL FOR ALIGNMENT

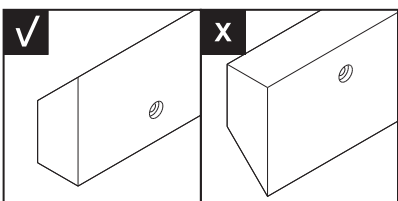
FOR EXAMPLE

If you want to hang the Piano with the top (first line) at a height of 195 cm, the bottom of the beam (second line) should be placed at $(195 - 16^* =) 179$ cm.

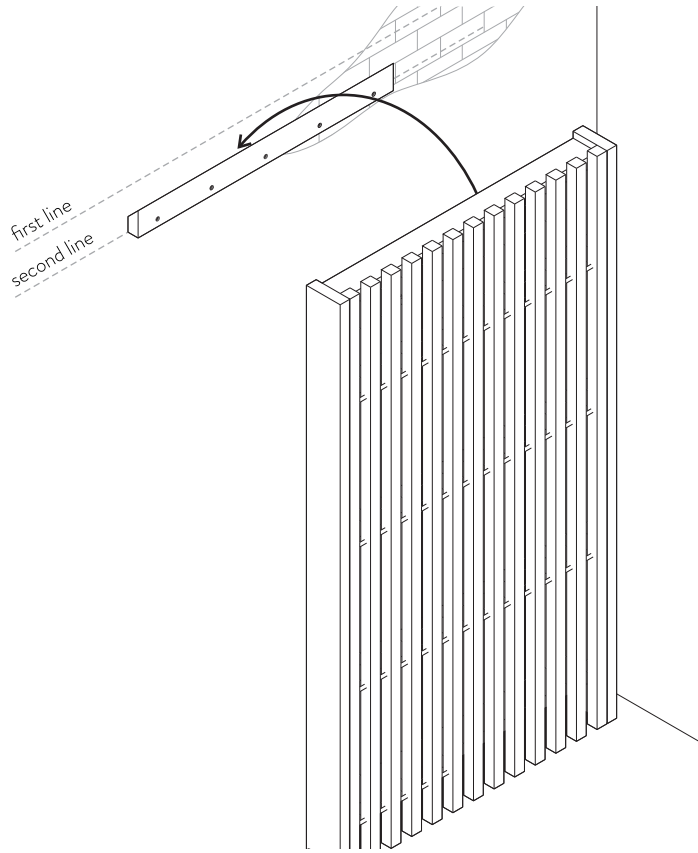
B INSTALLING HANGING HARDWARE



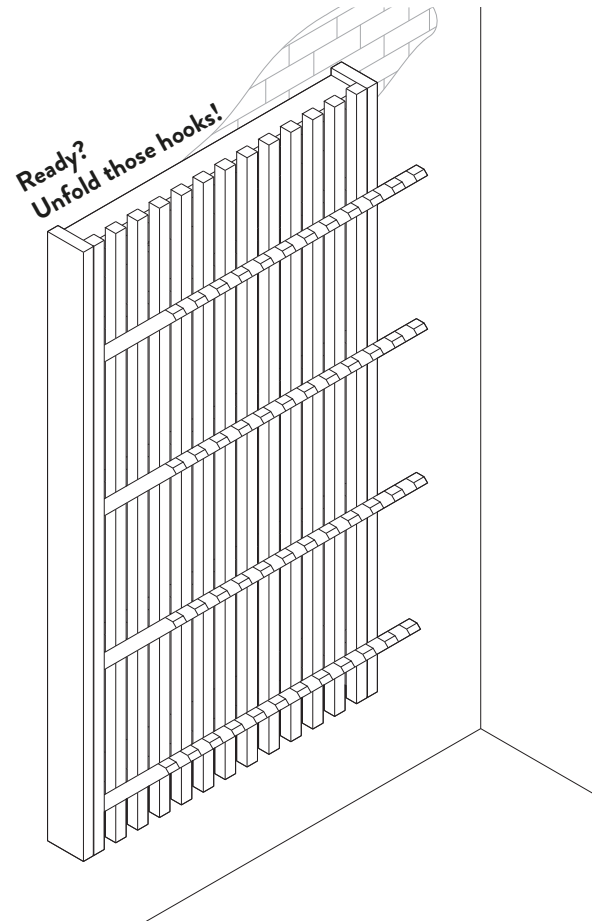
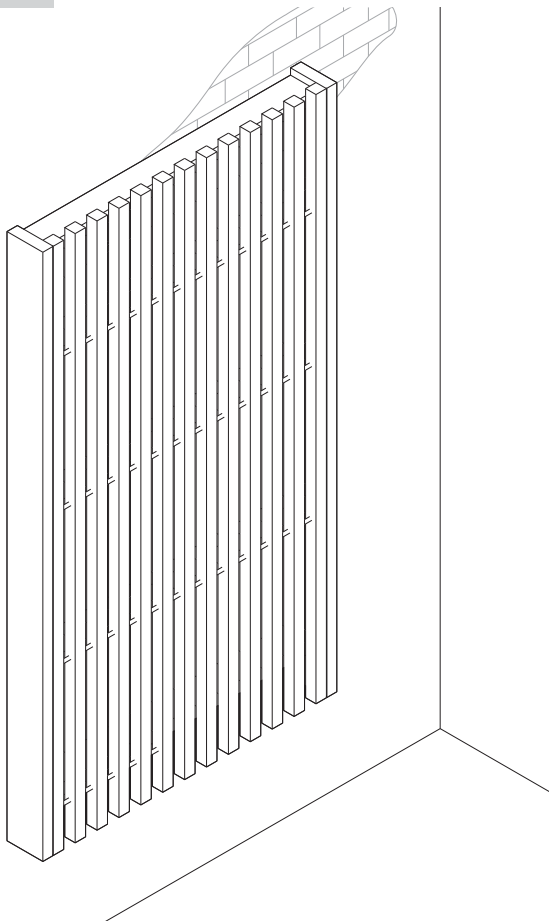
! TIGHTEN FULLY

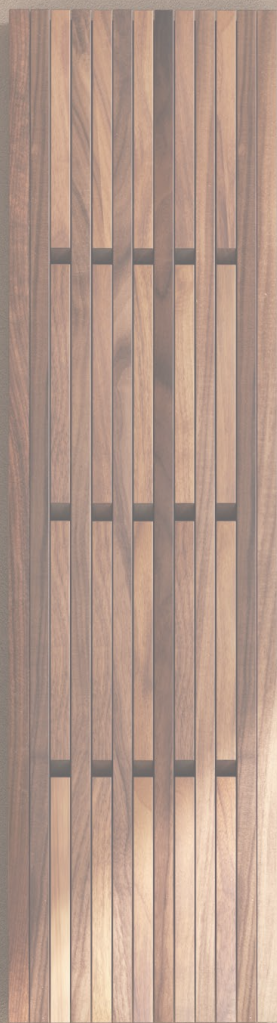


C HANGING RACK TO THE HANGING HARDWARE



D FINISH





WWW.PERUSE.BE